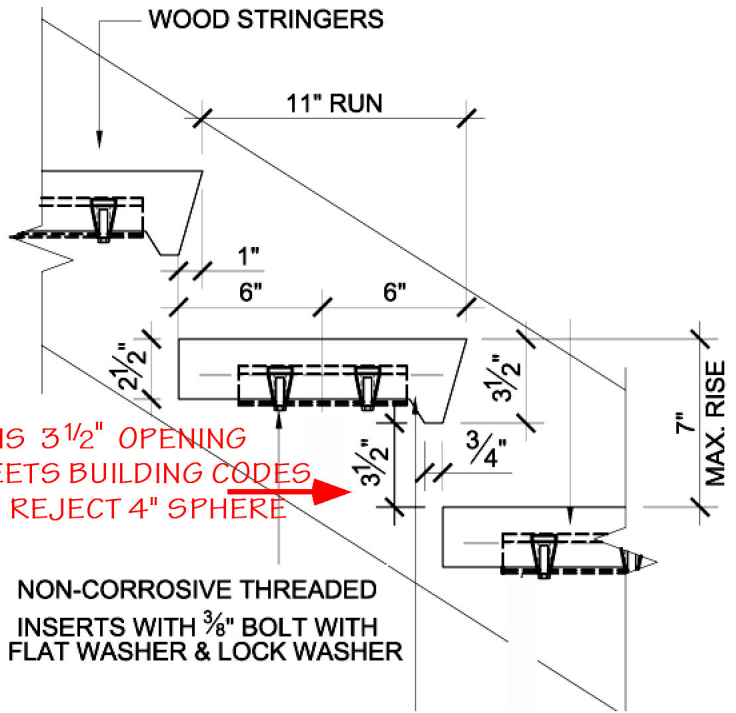
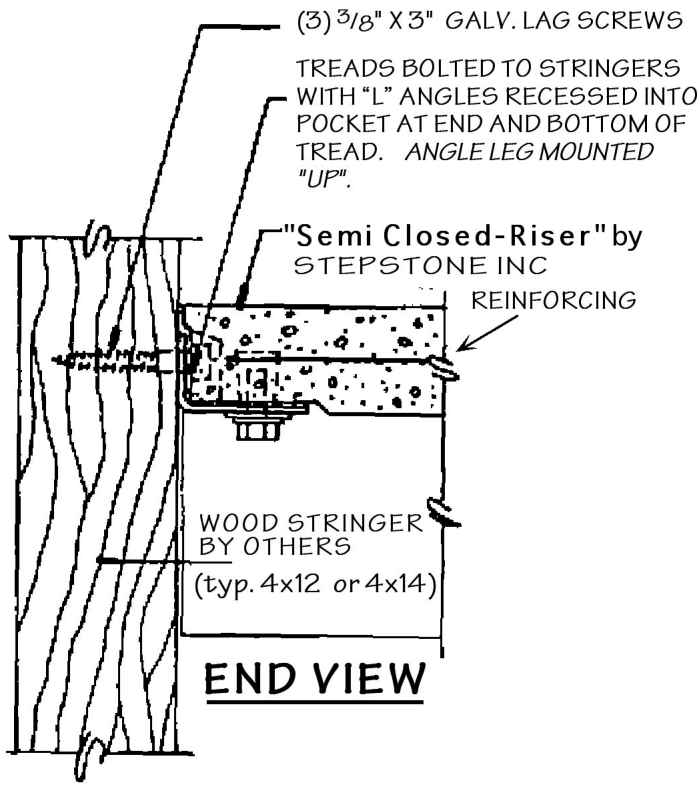


# Semi Closed-Riser Precast Stair Treads by STEPSTONE INC.

The solution for stair rehabs if stringers must be replaced. Open-riser concrete treads won't meet code. These Will!

Bolted to Wood Stringers  
-also available w/weldplates

## SPECS:



THIS 3 1/2" OPENING MEETS BUILDING CODES TO REJECT 4" SPHERE

NON-CORROSIVE THREADED INSERTS WITH 3/8" BOLT WITH FLAT WASHER & LOCK WASHER

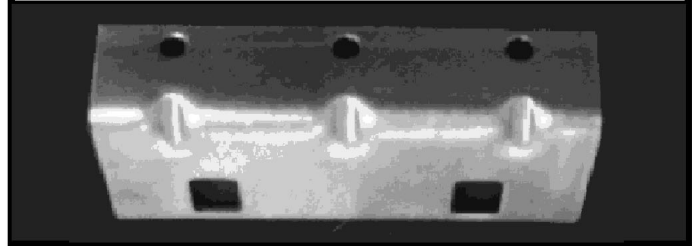
### MOUNTING HARDWARE FOR WOOD



NON-CORROSIVE THREADED INSERTS  
W/ 3/8" dia. X 1 1/2" GALV. BLUNT BOLT  
W/ WASHERS FASTEN ANGLES TO TRDS



3/8" X 3" GALVANIZED LAGS  
11 GA. GALVANIZED ANGLE 1 5/8" X 3 X 7 1/4"  
RECT. HOLES ALLOW ADJUSTMENT UP TO 1".  
ANGLES RECESS IN POCKET  
IN END AND BOTTOM OF TREAD.



### REINFORCING



2" x 6" / #7 x #10 ZINC PLATED  
WELDED STEEL GRATE  
DOUBLED OVER INSIDE NOSE

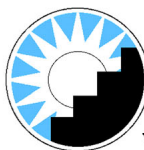
Length to 54". (Optimum pricing is 48" or less). Usually ordered 3/8" less than minimum distance between stringers.

Product is hand made of natural material, so slight variation in color & size is normal.

### SPECS

fc' = 5,000 PSI @ 28 DAYS  
WWM: ASTM C150 Type III  
SHEET METAL: ASTM A446  
Weight: 90# for 36" (30#/ft.)  
Factory length tolerance: ± 1/8"  
Min. coefficient of friction: 60%  
wet & dry. NONCOMBUSTIBLE !

Precast stair treads have been made by STEPSTONE INC in Gardena, Calif. since 1967. They are guaranteed against hidden shipping damage, or manufacturing defects or breakage under normal usage for five years. They would be replaced free, excluding labor & shipping.



Hawaii Distributor:  
**BUILDING SYSTEMS HAWAII**  
808 885-0987 • 800 353-0934  
web: bldgssystemshawaii.com • email: bsystems@kona.net