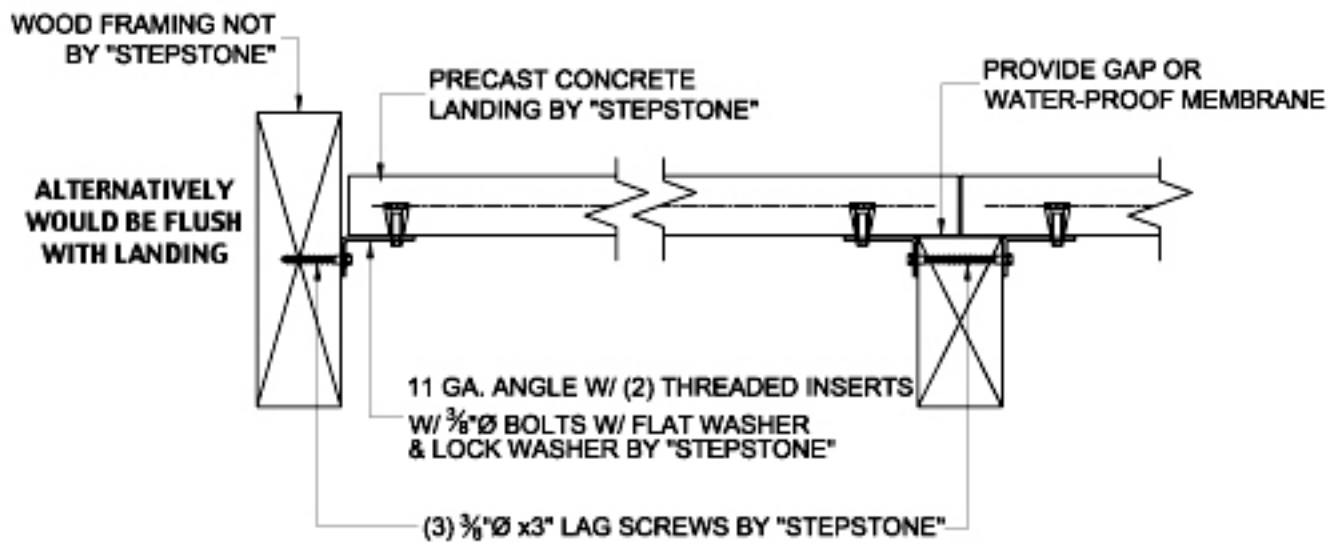


BUILDING SYSTEMS Hawaii

STEPTREAD 180° Landing Sec, Exp. Angle



180° LANDING SECTION - EXPOSED ANGLE

FILE: STP-3.0-13

Produced by STEPSTONE INC of California