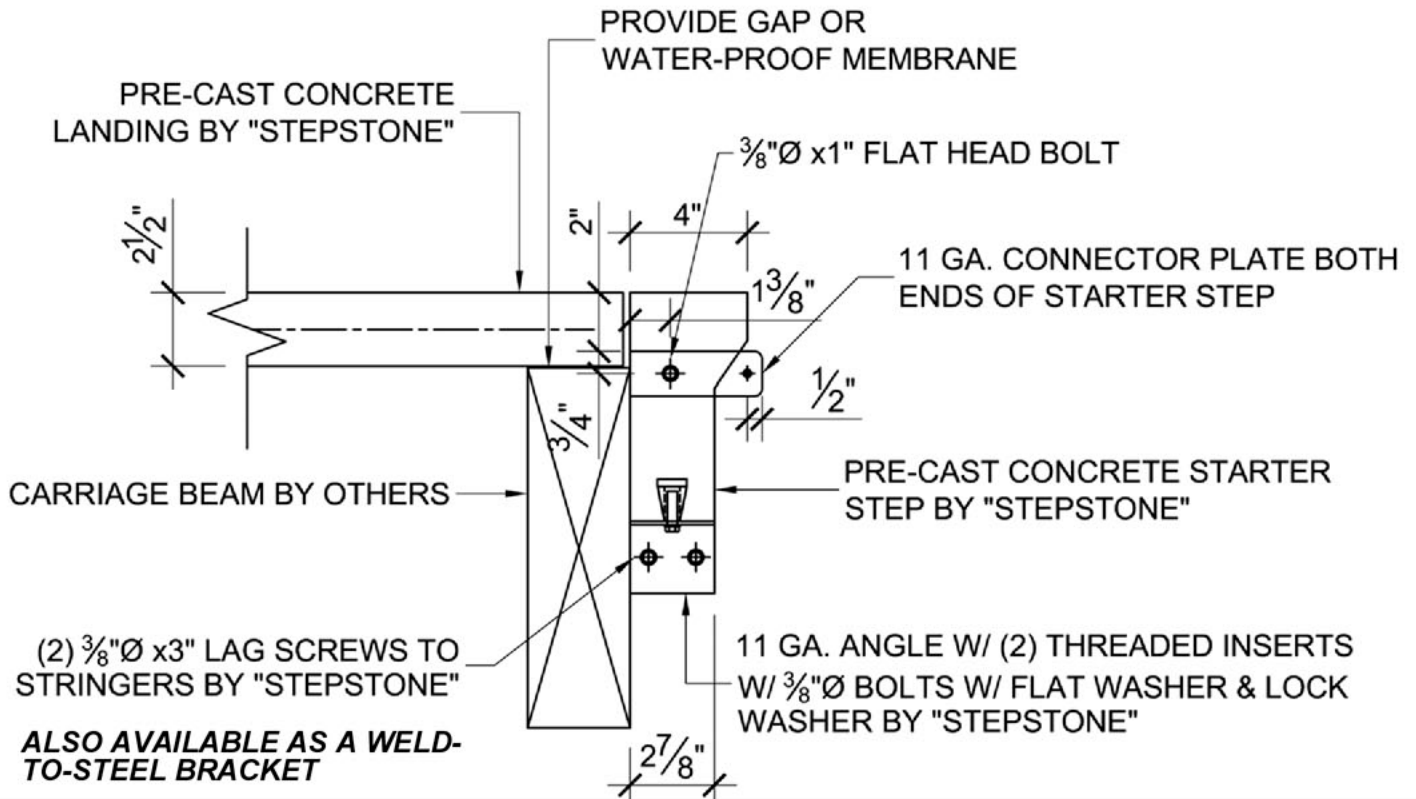


STEPTREAD Starter Step Details (choose either bracket)

Starter Step Side Mount "A" Bracket (mounts to stringers)



Starter Step Back Mount "B" Bracket (mounts to carriage beam)

