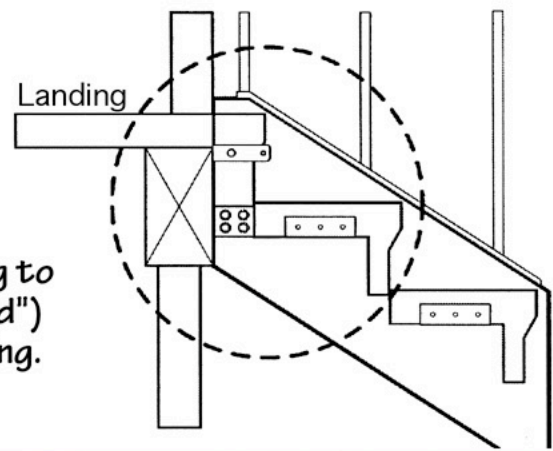


STEPTREAD STARTER STEP

Example of our Starter Step transitioning to landing. The Starter (or "Top Nosing Tread") is easily adjustable to height of the landing.



Starter Step Details & attachment --mount-to-stringer bracket "A"

