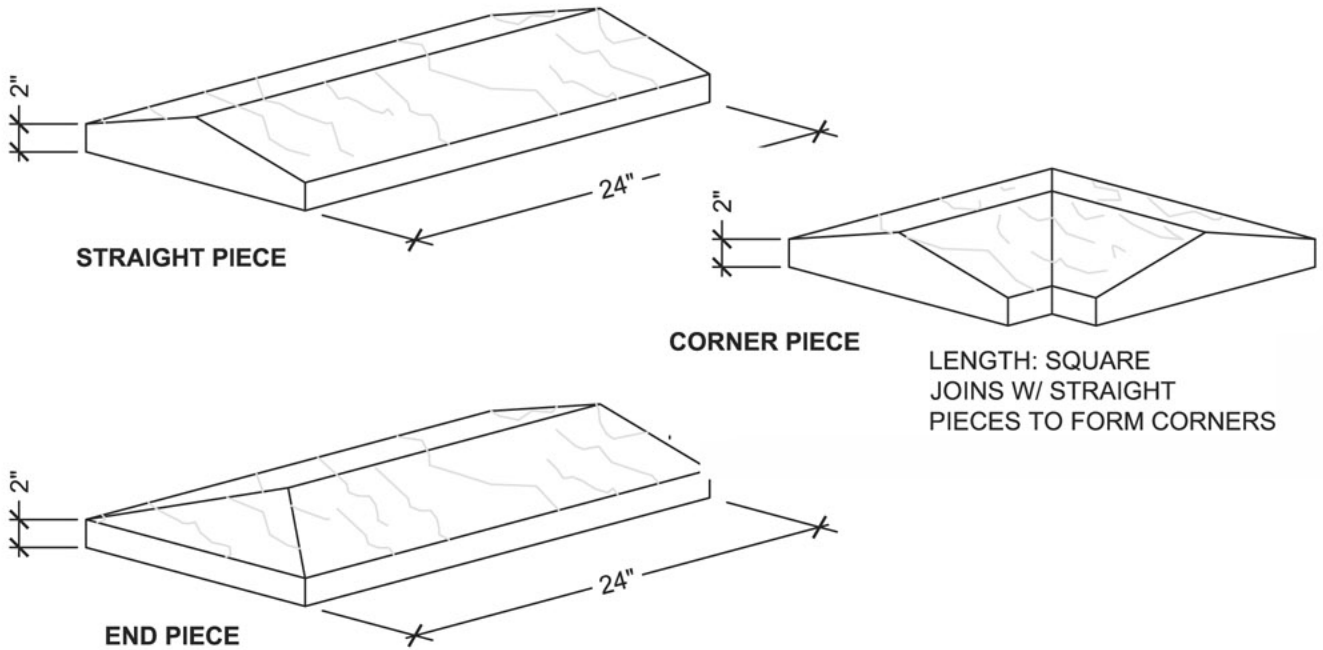
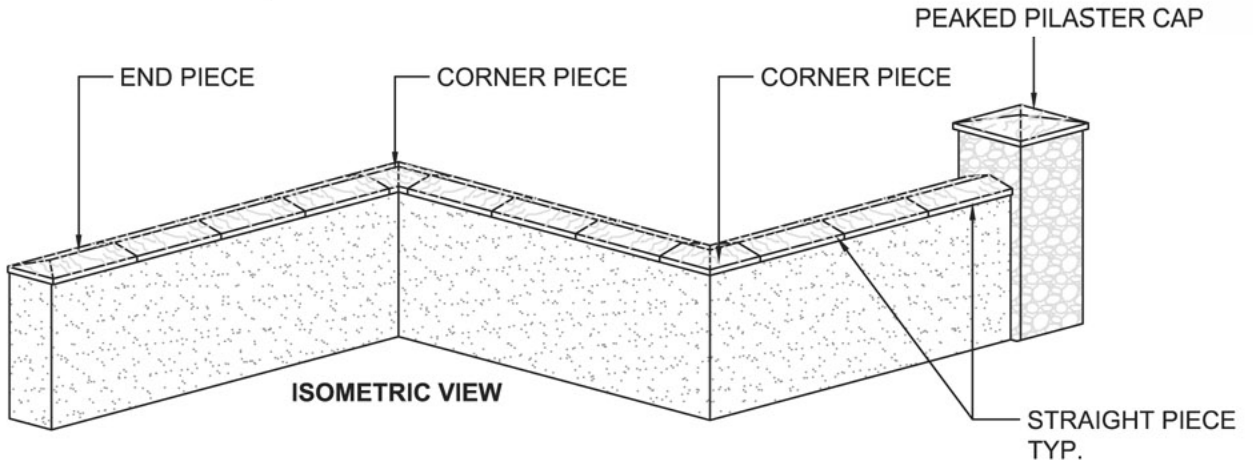




STEPSTONE, INC.

Distributed in Hawaii by BUILDING SYSTEMS Hawaii • 800 353 0934

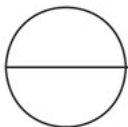
Sonorastone® Wall Cap Details



NOTES:

1. PRECAST UNITS ARE INDIVIDUALLY HAND CAST. LENGTHS ARE APPROXIMATE. SOME VARIATIONS ARE EXPECTED.
2. INSTALLATION TO BE COMPLETED IN ACCORDANCE WITH GENERALLY ACCEPTED MASONRY PRACTICE.
3. SONORASTONE® FINISH ON TOP & SIDES.
4. PRECAST UNITS MAY BE CUT TO FIT FIELD CONDITIONS.

SONORASTONE® WALL CAP - GENERAL DETAILS



SCALE: N.T.S.