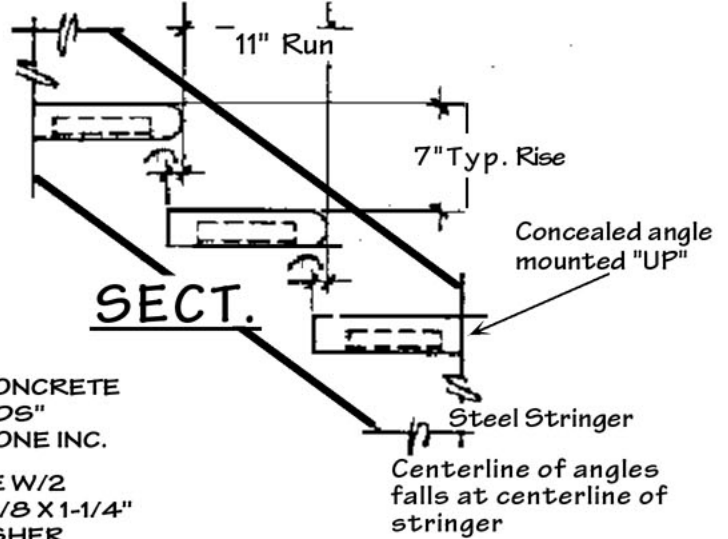
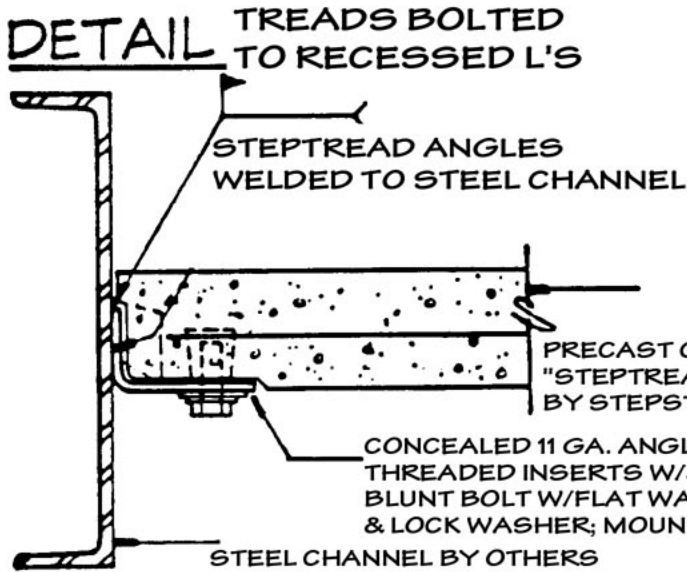
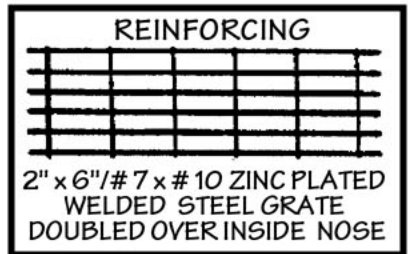


STEPTREAD Specs

Reinforced Precast Open-Riser Stair Treads
Treads Bolted to Steel Stringers



Stainless Steel Hardware available at extra cost (NOT NECESSARY UNLESS DIRECT SALT SPRAY)



Length to suit. (Optimum pricing is 48" or less). Usually ordered 1/4" less than minimum distance between stringers.



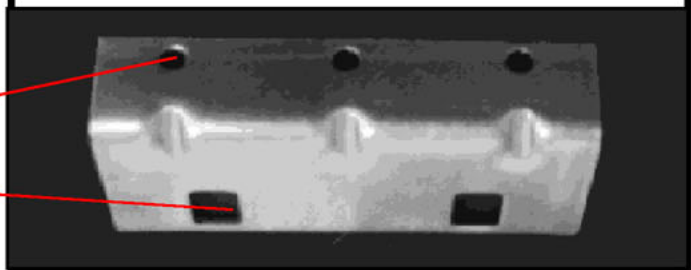
Product is hand made of natural material, so minor variation in color & size is normal.

MOUNTING HARDWARE

NON-CORROSIVE THREADED INSERTS W/ 3/8" dia. GALV. 1 1/2" BLUNT BOLT W/ WASHERS TO ATTACH TO TREADS

11 GA. GALVANIZED ANGLE 1 5/8 x 3 x 7 1/4 RECT. HOLES ALLOW ADJUSTMENT UP TO 1". ANGLES RECESS IN POCKET IN END AND BOTTOM OF TREAD.

NOSING OPTIONS



STEPTREADS are made by STEPSTONE INC in Gardena, California, since 1967. They are guaranteed against hidden shipping damage, or manufacturing defects or breakage under normal usage for five years. They would be replaced free, excluding labor & shipping.



Hawaii Distributor:
BUILDING SYSTEMS HAWAII
808 885-0987 • 800 353-0934
web:bldgssystemshawaii.com • email:bsystems@kona.net