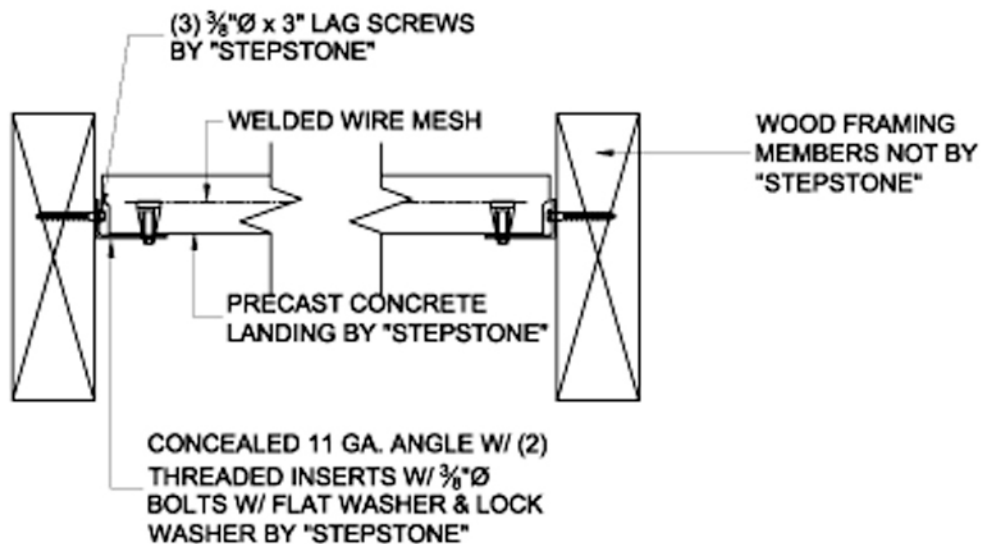


BUILDING SYSTEMS Hawaii

STREPTREAD Landing Sec, Concealed Angle



LANDING SECTION - CONCEALED ANGLE

FILE: STP-3.0-09

Produced by STEPSTONE INC of California