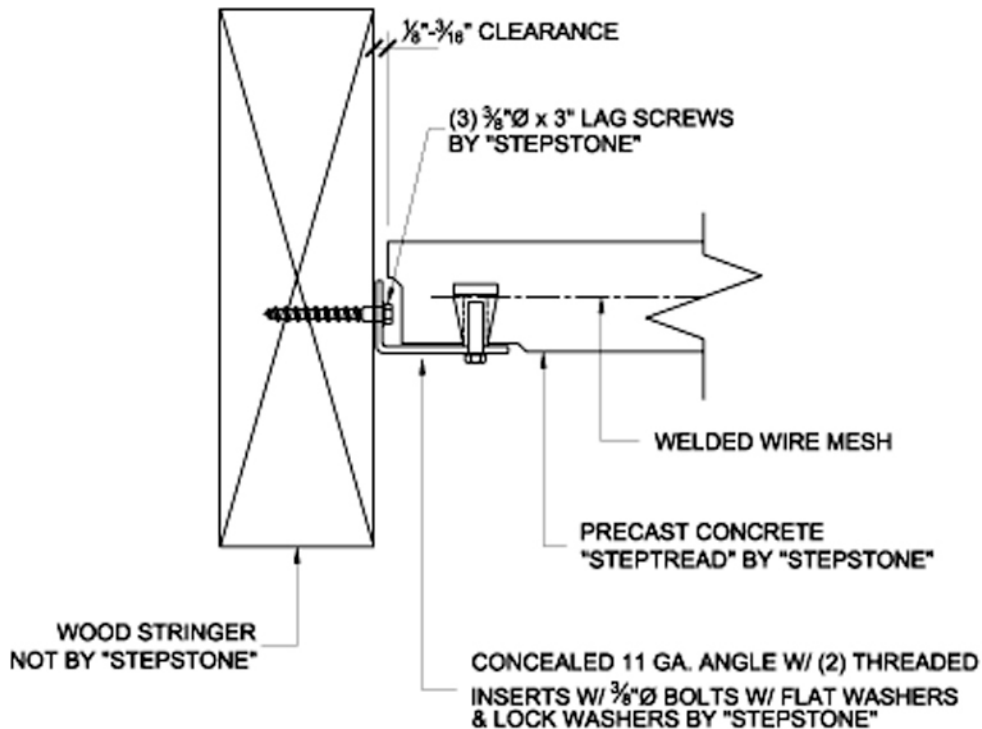


BUILDING SYSTEMS Hawaii

STEPTREAD End Detail, Concealed Angle BOTW



STAIR END DETAIL - CONCEALED ANGLE

FILE: STP-3.0-01

Produced by STEPSTONE INC of California