

Closed-Riser STEPTREAD Specs *

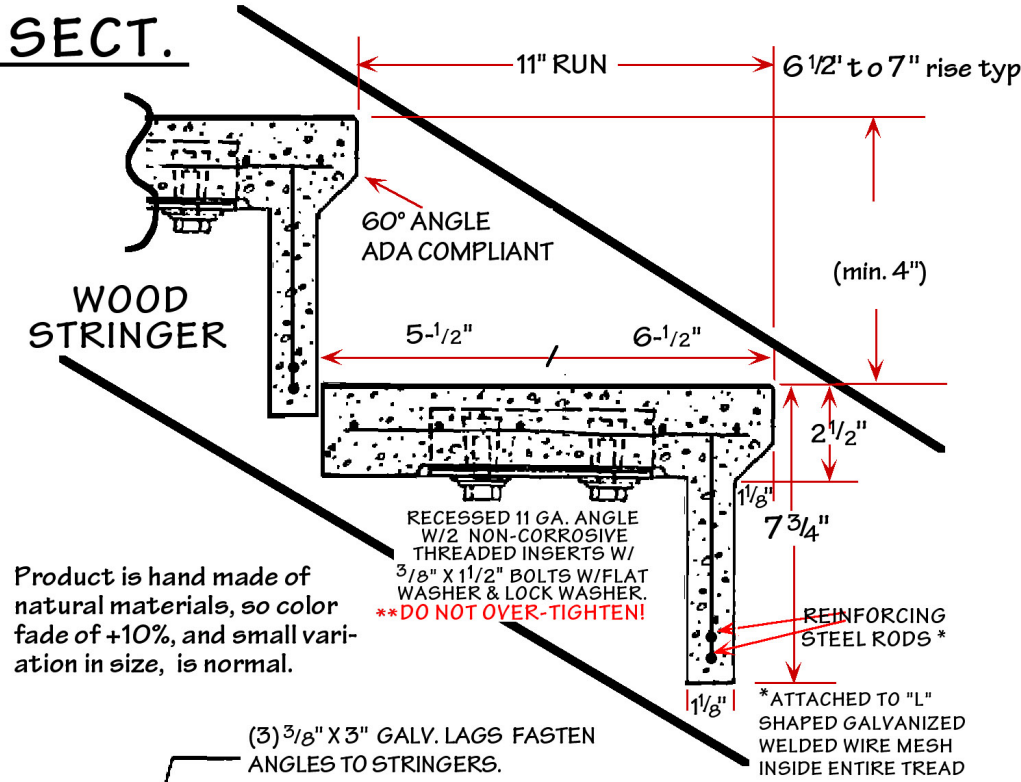
from STEPTONE INC.

Reinforced Precast Concrete Stair Treads
Bolt-To-Wood Stringers
ADA COMPLIANT

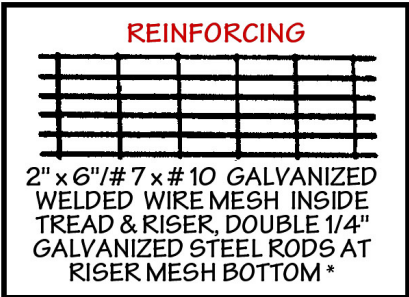


CORRUGATED CONSTRUCTION COVERS PROTECT TREADS DURING NEW CONSTRUCTION (\$5 ea)

SECT.

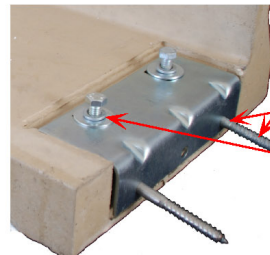
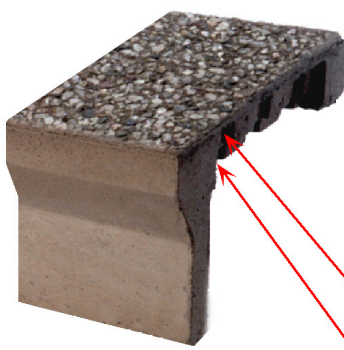
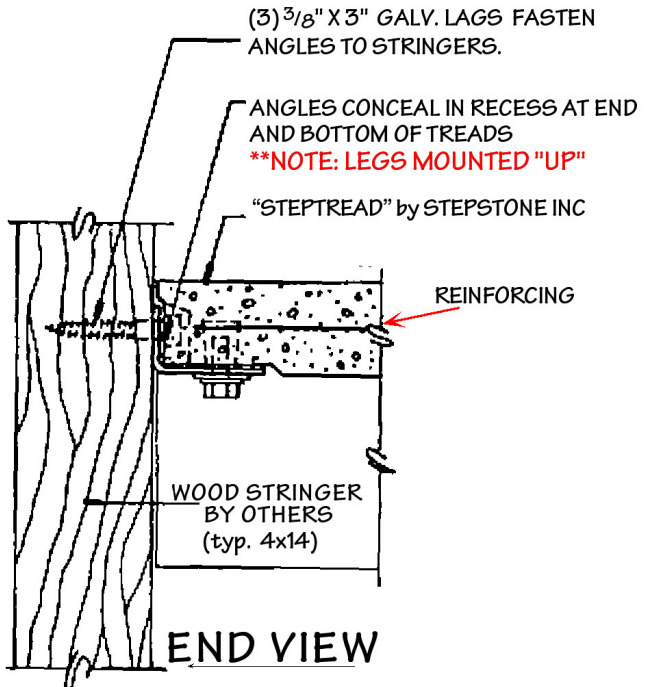


Product is hand made of natural materials, so color fade of +10%, and small variation in size, is normal.



SPECS

fc=5,000 PSI @ 28 DAYS
WWM: ASTM C150 Type III
SHEET METAL: ASTM A446
Weight: 37.2 # per lineal foot
Factory length tolerance: ± 1/8"
Length to suit—usually ordered 3/8" less than distance between stringers.
Minimum coefficient of friction: 60% wet and dry. Noncombustible.
Landings Weight: 30# per sq ft



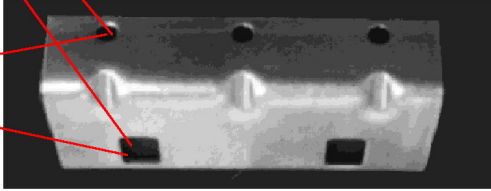
MOUNTING HARDWARE

(AVAILABLE ALSO FOR STEEL STRINGERS)

NON-CORROSIVE THREADED INSERTS w/ 3/8" dia. X 1 1/2" GALV. BOLT & SPLIT WASHER & Stainless Steel FLAT WASHER

(3) 3/8" X 3" GALVANIZED LAGS

11 GA. GALVANIZED ANGLE 1 5/8" x 3 x 7 1/4". RECTANGULAR HOLES ALLOW ADJUSTMENT ANGLE CONCEALS IN RECESSED POCKET.



STEPTREADS are guaranteed against hidden shipping damage (minor shipping/handling nicks excepted) and against manufacturing defects or breakage under normal use for 5 years, when properly installed. They would be replaced free, excluding labor & shipping. Product is hand cast of natural materials, so slight variation in color and thickness is normal, as is color fade over time.



BUILDING SYSTEMS HAWAII
800 353-0934 • 808 885-0987
web: bldgsystemshawaii.com • email: bsystems@kona.net
Hawaii Distributor for **STEPSTONE INC**
13238 S. Figueroa St. Los Angeles, CA 90061