

STRAIGHT PIECE

BULL NOSE: 2 SIDES

THICKNESS: 2-1/2"

LENGTH: 24"

*WIDTH: 8"

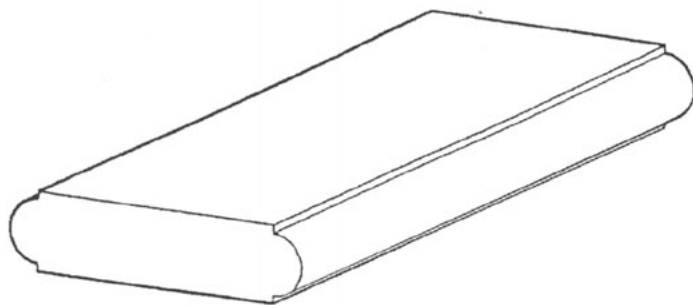
*WIDTH: 10-1/4"

*WIDTH: 12"

*WIDTH: 14"

*WIDTH: 16"

*WIDTH 24"



END PIECE

BULL NOSE: 3 SIDES

THICKNESS: 2-1/2"

LENGTH: 24"

*WIDTH: 8"

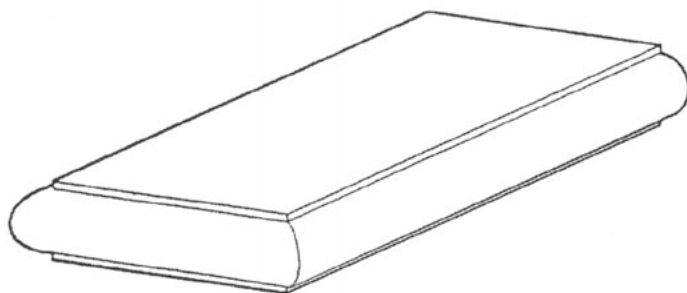
*WIDTH: 10-1/4"

*WIDTH: 12"

*WIDTH: 14"

*WIDTH: 16"

*WIDTH 24"



CORNER PIECE

BULL NOSE: IN AND OUT

THICKNESS: 2-1/2"

LENGTH: SQUARE

*WIDTH: 8"

SIZE: 12" SQ

*WIDTH: 10-1/4"

SIZE: 12" SQ

*WIDTH: 12"

SIZE: 14" SQ

*WIDTH: 14"

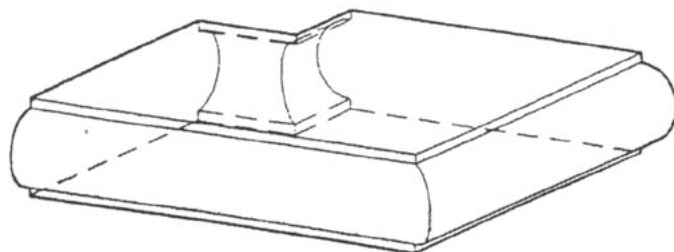
SIZE: 16" SQ

*WIDTH: 16"

SIZE: 18" SQ

*WIDTH: 24"

SIZE: 26" SQ



JOINS WITH STRAIGHT PIECES TO FORM
INSIDE OR OUTSIDE CORNERS.