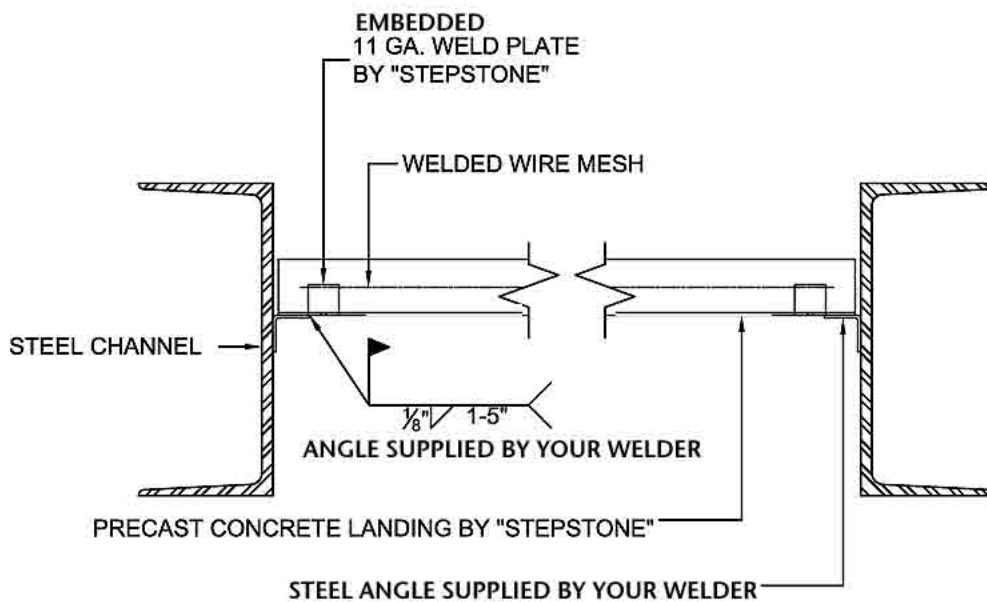


STRAIGHT LANDING DETAIL - BETWEEN STEEL, WELDED



PRECAST CONCRETE TREADS AND LANDINGS SHOWN ON PLANS SHALL BE FROM THE "STEPTREAD" SYSTEM BY "STEPSTONE, INC." OF GARDENA, CA. FOR STEEL CONSTRUCTION.



BUILDING SYSTEMS HAWAII

web: buildingsystemshawaii.com • 800 353-0934

Exclusive Hawaii STEPSTONE Distributor