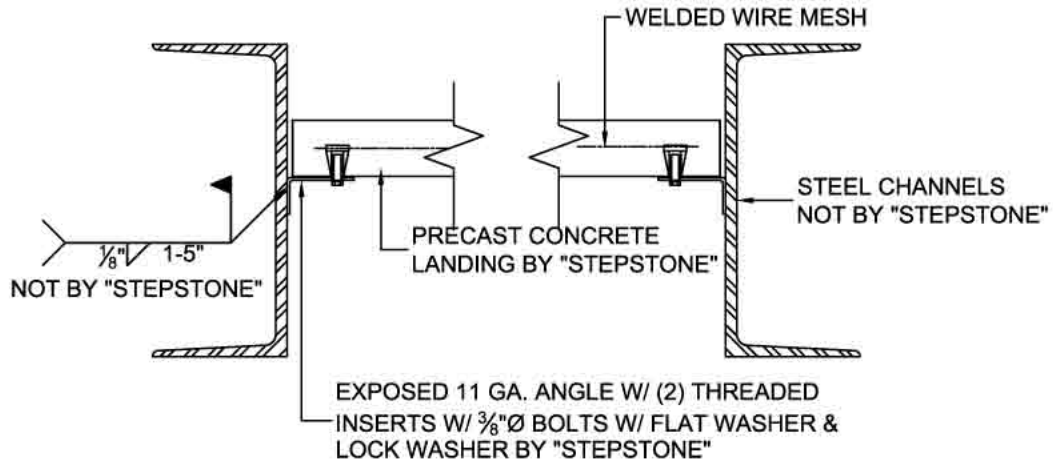


STRAIGHT LANDING - BETWEEN STEEL, BOLTED, EXPOSED

TIP: USUALLY EASIER TO USE WELD-ON LANDINGS THAN BOLT-ONS. SEE PG 59



PRECAST CONCRETE TREADS, LANDINGS, AND BALCONIES SHOWN ON PLANS SHALL BE FROM THE "STEPTREAD" SYSTEM BY "STEPSTONE, INC." OF GARDENA, CA. FOR STEEL OR WOOD CONSTRUCTION. THE MANUFACTURER IS TO SUPPLY ALL PRECAST CONCRETE PARTS WITH EACH "STEPTREAD" AND FEATURING EITHER CAST IN THREADED INSERTS FOR BOLTING OR AN EMBEDDED BOTTOM WELD PLATE FOR WELDING.



BUILDING SYSTEMS HAWAII

web: buildingssystemshawaii.com • 800 353-0934

Exclusive Hawaii STEPSTONE Distributor