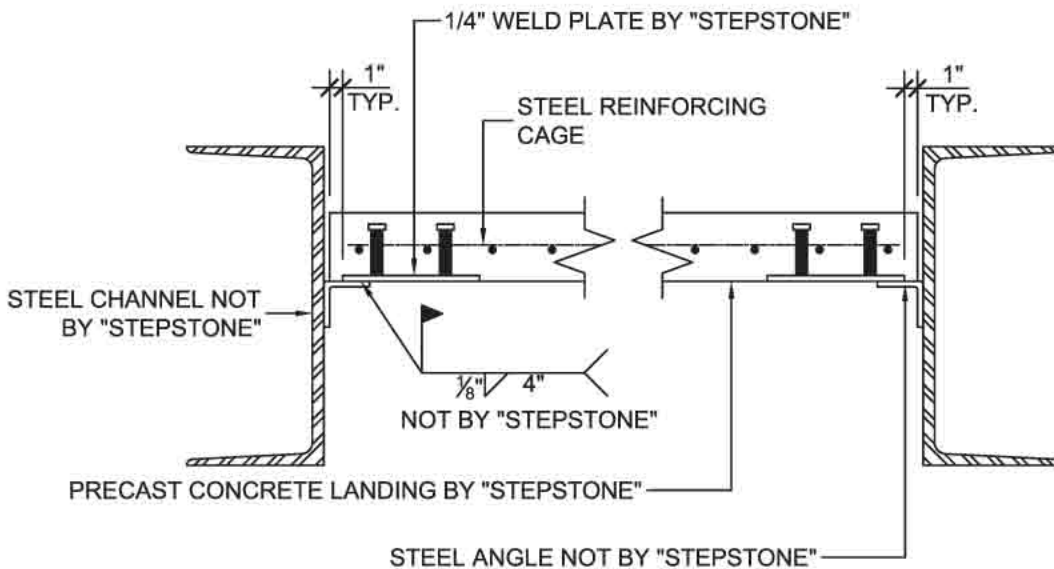


STRAIGHT LANDING - BETWEEN STEEL, WELDED



PRECAST CONCRETE TREADS AND LANDINGS SHOWN ON PLANS SHALL BE FROM THE LONG SPAN "STEPTREAD" SYSTEM BY "STEPSTONE, INC." OF GARDENA, CA FOR STEEL CONSTRUCTION. THE MANUFACTURER IS TO SUPPLY ALL PRECAST CONCRETE "STEPTREAD" SYSTEM PARTS, FEATURING BOTTOM WELD PLATES FOR WELD-ON CONNECTIONS.



BUILDING SYSTEMS HAWAII

web: buildingsystemshawaii.com • 800 353-0934

Exclusive Hawaii STEPSTONE Distributor

Page 39 Long Span

BS 4/13