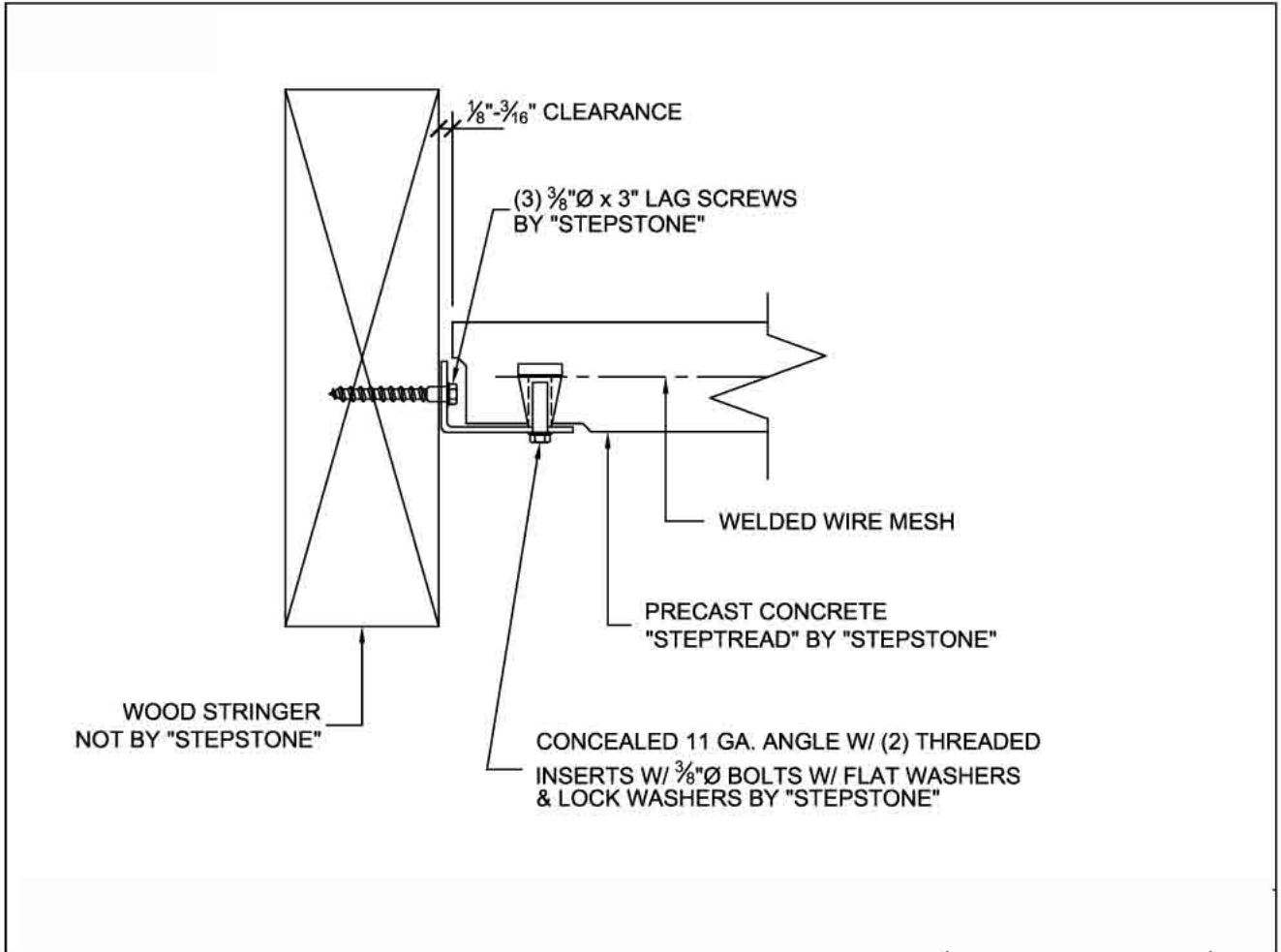


Angle Attachment Detail, Concealed Angle to Wood



PRECAST CONCRETE TREADS AND LANDINGS SHOWN ON PLANS SHALL BE FROM THE "STEPTREAD" SYSTEM BY STEPSTONE, INC. OF GARDENA, CA, FOR WOOD CONSTRUCTION. THE MANUFACTURER IS TO SUPPLY ALL PRECAST CONCRETE PARTS WITH EACH "STEPTREAD" INCLUDING ALL GALVANIZED HARDWARE SHOWN IN THIS SERIES, TO ATTACH SAME.



BUILDING SYSTEMS HAWAII

web: buildingsystemshawaii.com • 800 353-0934

Exclusive Hawaii **STEPSTONE** Distributor