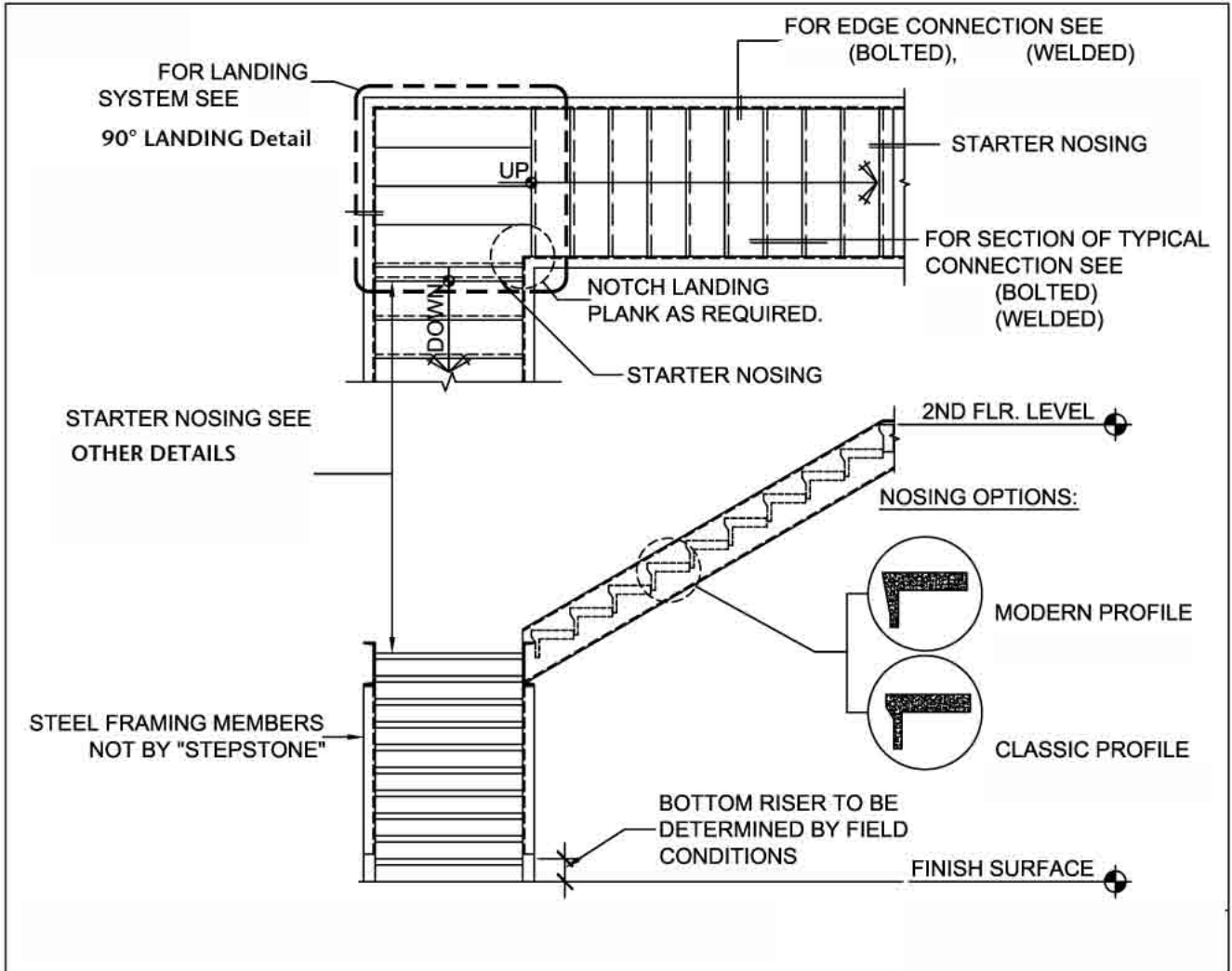


## 90° LANDING - CLOSED RISER, BETWEEN STEEL STRINGERS



PRECAST CONCRETE TREADS, LANDINGS, AND BALCONIES SHOWN ON PLANS SHALL BE FROM THE "STEPTREAD" SYSTEM BY "STEPSTONE, INC." OF GARDENA, CA. FOR STEEL OR WOOD CONSTRUCTION. THE MANUFACTURER IS TO SUPPLY ALL PRECAST CONCRETE PARTS WITH EACH "STEPTREAD" AND FEATURING EITHER CAST IN THREADED INSERTS FOR BOLTING OR AN EMBEDDED BOTTOM WELD PLATE FOR WELDING.



**BUILDING SYSTEMS HAWAII**

web: [buildingsystemshawaii.com](http://buildingsystemshawaii.com) • 800 353-0934

Exclusive Hawaii STEPSTONE Distributor