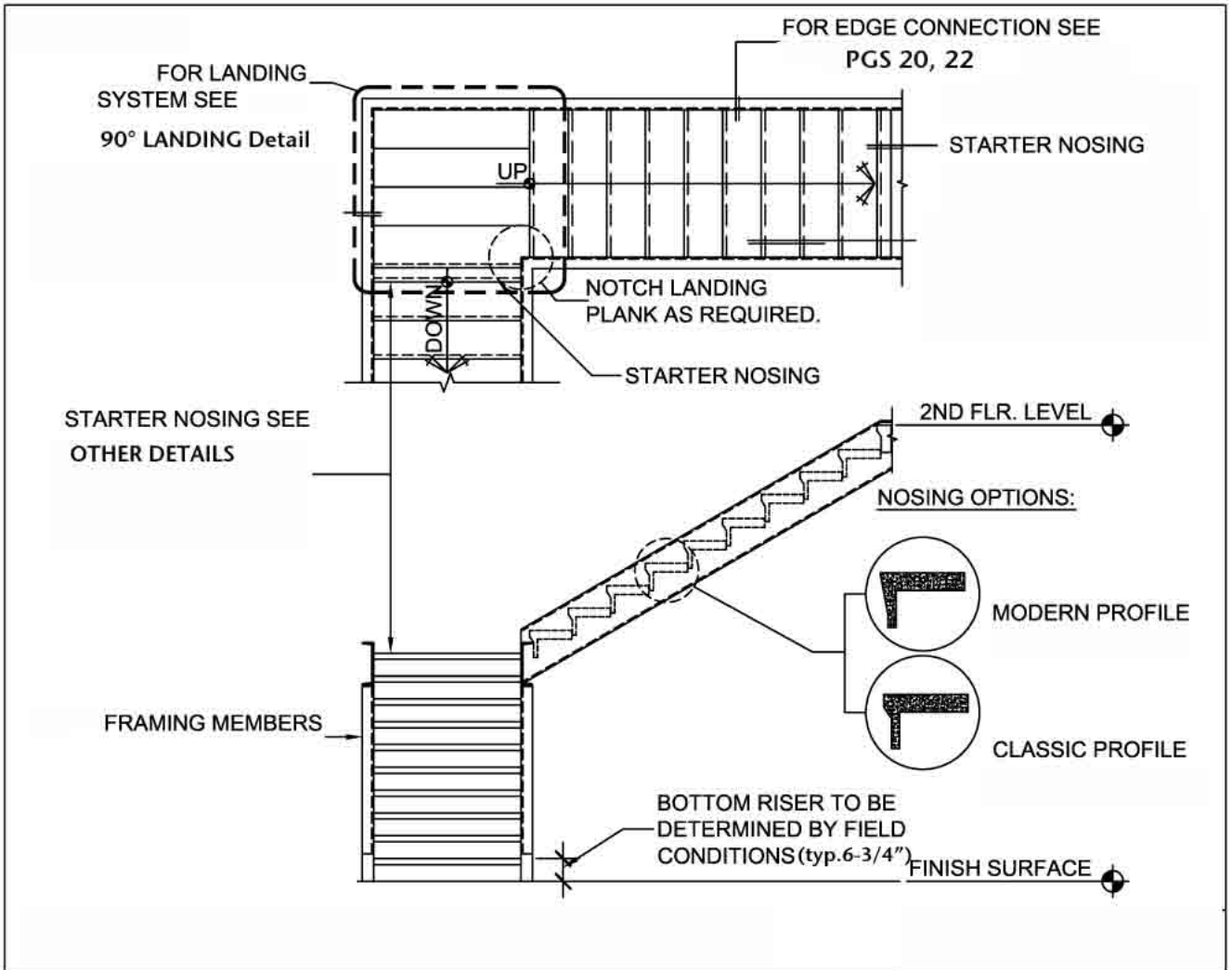


90° Landing, Closed-Riser, Betw Wood Stringers



PRECAST CONCRETE TREADS AND LANDINGS SHOWN ON PLANS SHALL BE FROM THE "STEPTREAD" SYSTEM BY STEPSTONE, INC. OF GARDENA, CA, FOR WOOD CONSTRUCTION.



BUILDING SYSTEMS HAWAII

web: buildingssystemshawaii.com • 800 353-0934

Exclusive Hawaii **STEPSTONE** Distributor