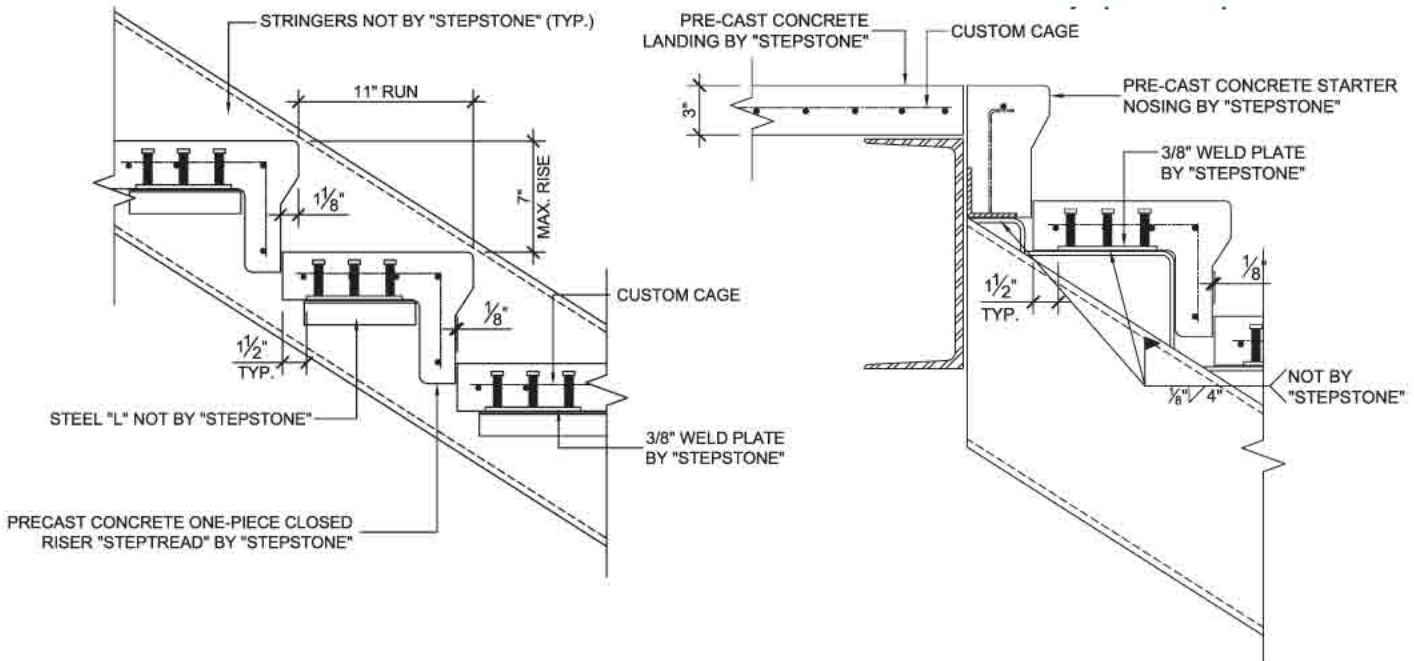


## LONG SPAN STEPTREAD SYSTEM

**LONG SPAN STEPTREADS** are precast concrete stair treads supported by a steel structure. They are available in various colors and finishes. In these details you will find general tread details and details specific to connections to steel supports. You may choose all of the details or individual sections that apply to your project. The **STEPTREAD SYSTEM** includes information on both treads and landing planks for a complete design. These details are available to you in PDF, DWG format and DWF format. Stepstone, Inc. has been manufacturing **STEPTREADS** for over 35 years.

These Between-Steel-Stringer Long Span Details are our most popular, and included in these pages

These Over-Stringer Long Span Tread Details are available by special request



PRECAST CONCRETE TREADS AND LANDINGS SHOWN ON PLANS SHALL BE FROM THE LONG SPAN "STEPTREAD" SYSTEM BY "STEPSTONE, INC." OF GARDENA, CA FOR STEEL CONSTRUCTION. THE MANUFACTURER IS TO SUPPLY ALL PRECAST CONCRETE "STEPTREAD" SYSTEM PARTS, FEATURING BOTTOM WELD PLATES



**BUILDING SYSTEMS HAWAII**

web: [buildingsystemshawaii.com](http://buildingsystemshawaii.com) • 800 353-0934

Exclusive Hawaii STEPSTONE Distributor

Page 1  
Long Span Details

BS 4/13