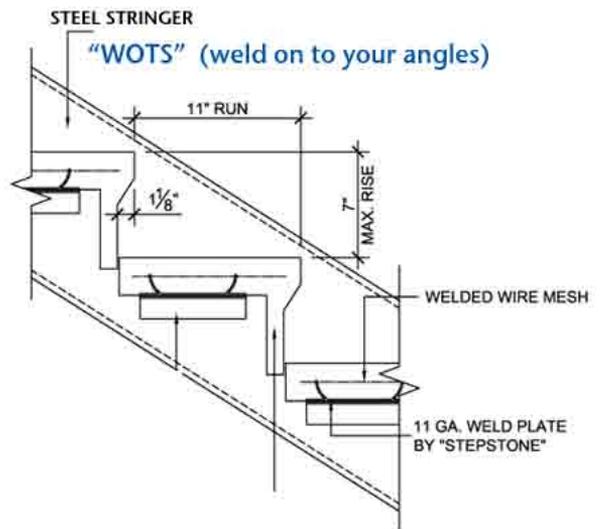
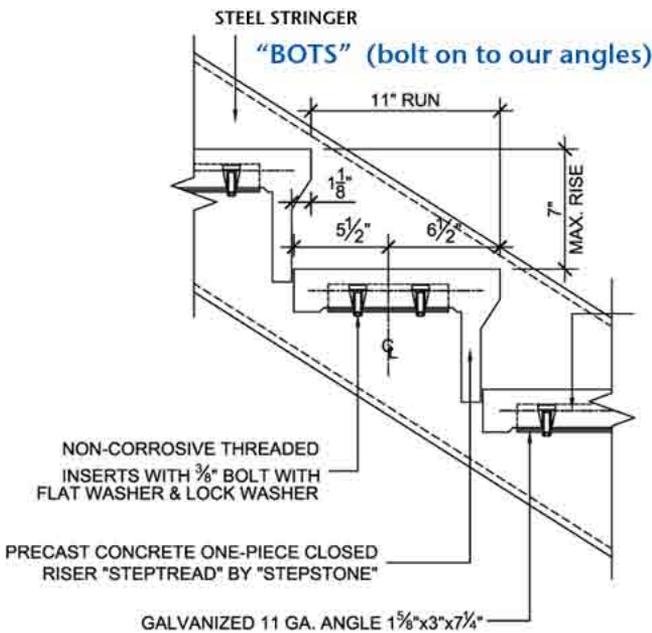
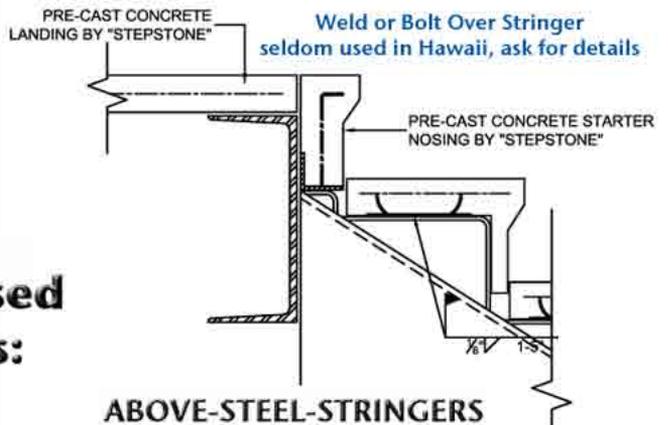




CALARC[®] DIVISION stepstoneinc.com

STEPTREAD STEEL STRINGER SYSTEM

Here are the 3 methods used to install to steel stringers:



Above Left: BOLT-TO-STEEL. Our galvanized angles are welded by your fabricator in his shop to the stringers. After erection on job site, the treads can then be bolted to those angles without needing a welder. We provide all hardware. Advantages include adjustability -- angles allow movement 1" either direction, also angles are hidden in recessed pocket in end of tread, so much cleaner from underneath.

Mid Right: WELD-TO-STEEL. Your fabricator welds his own angles at his shop. On the job site, after stringers erected, a welder welds Steptreads to those angles.



BUILDING SYSTEMS HAWAII

web: buildingsystemshawaii.com • ph: 800 353-0934

Exclusive Hawaii STEPSTONE Distributor